

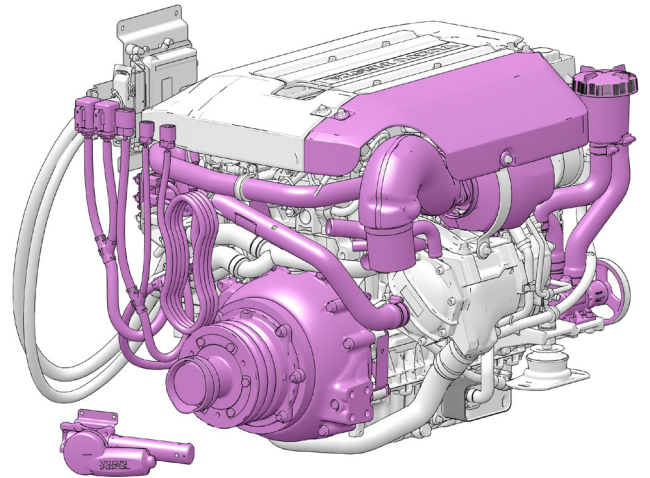
D3 REPOWERING KIT

**Install a new modern diesel engine.
Keep your existing drive.**

Thinking about repowering your boat? Improve your boating experience by replacing your old diesel or gasoline engine with a new Volvo Penta D3 diesel engine. The D3 Repowering Kit makes it possible to keep and utilize your existing Volvo Penta drive.

The kit offers a perfect match between the new engine and your existing drive, giving full EVC functionality with access to a wide range of accessories, making your boating easier, safer and more enjoyable.

Please see the next page to find out more about drive/engine compatibility.



THE D3 REPOWERING KIT consists of all components needed for a perfect match between a Volvo Penta D3 diesel engine and your existing Volvo Penta drive.



THE D3 DIESEL ENGINE and the **D3 Repowering Kit** connected to the previous **AQ290** drive.

COMPACT, RELIABLE AND POWERFUL

The reliable and powerful D3 diesel engine features common rail fuel injection. Its robust and compact design weighs only 260 kg (dry weight without transmission) and is available in 140, 170, 200 and 220 hp.

With a D3 diesel engine connected to your existing Volvo Penta drive, you will experience improved performance, maneuvering and fuel consumption. Electronic shift and throttle will provide smooth and precise control. The faster acceleration will take you quicker on to plane, and in addition, you'll also benefit from increased reliability, better onboard comfort and lower emissions. You will also increase the value of your boat.

**VOLVO
PENTA**

D3 REPOWERING KIT

FEATURES AND BENEFITS:

- A perfectly matched connection between the D3 diesel engine and your existing Volvo Penta drive.
- Developed and tested by Volvo Penta.
- All required parts and components are included, such as installation instruction, adapter ring, exhaust riser, heat shield for turbo and riser, engine cover etc.

The table displays the drive/engine combinations available with the D3 Repowering Kit. Always advise your Volvo Penta dealer about which replacement you and your boat will most benefit from.

For further engine information, please see the separate Engine Product Leaflet available on www.volvopenta.com.

	D3-140	D3-170	D3-200	D3-220
AQ290	●	●	●	●
AQ290A	●	●	●	●
AQ290-DP	●	●	●	●
AQ290A-DP	●	●	●	●
SP-A, -A1, -A2	●	●	●	●
SP-C	●	●	●	●
SP-E	●	●	●	●
DP-A, -A1, -A2	●	●	●	●
DP-B, -B1	●	●	●	●
DP-C, -C1	●	●	●	●
DP-D, -D1	●	●	●	●
DP-E	●	●	●	●

VOLVO PENTA EVC SYSTEM

Volvo Penta's electronic platform, the EVC system, fully integrates the boat's engines, electronics and the unique set of Easy Boating options. EVC gives a robust installation and greatly improved reliability. With Volvo Penta's range

of EVC controls you easily form your complete command center. That means comfortable and ergonomic control of all essential functions like electronic shift and throttle and integrated buttons for engine and drive functions.



Visit www.volvopenta.com to learn more about Volvo Penta's EVC system and the wide range of Easy Boating features.

VOLVO PENTA

AB Volvo Penta

SE-405 08 Göteborg, Sweden
www.volvopenta.com

Please contact your local Volvo Penta dealer for further information or visit www.volvopenta.com. Please note that products illustrated may differ from production models. Not all models and accessories are available in all markets, and standard equipment may vary between different markets. Every effort has been made to ensure that facts and figures are correct at the time of publication. However, Volvo Penta reserves the right to make changes without prior notice at any time.